



## SWIVEL CARTS

Swivel carts are ideal for transportation and manipulation of wooden pallets and plastic trays full of parts.



**PLYMOUTH  
INDUSTRIES, INC.**

Custom Carts, Racks, Automation & Fabrication Solutions

Quality Products. Innovative Technology. Creative Solutions.

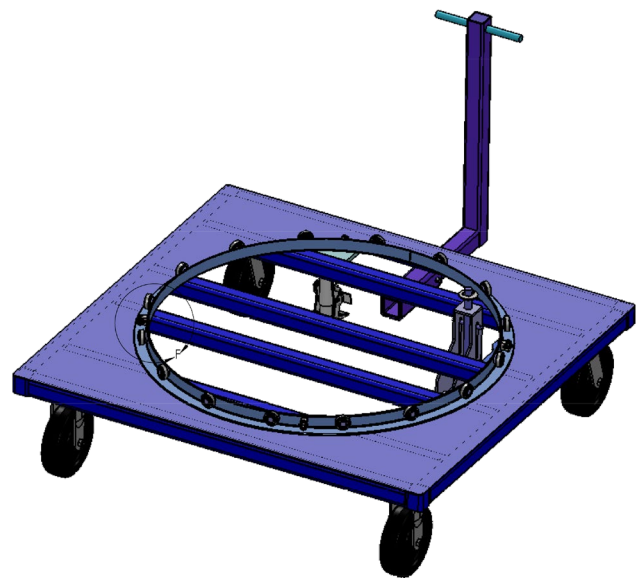
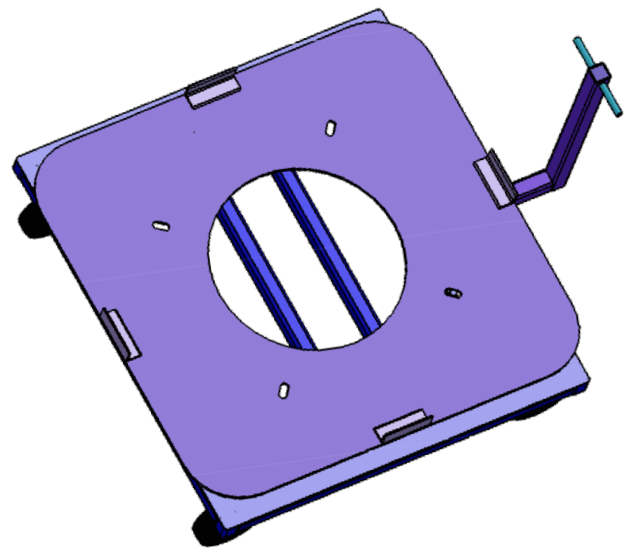
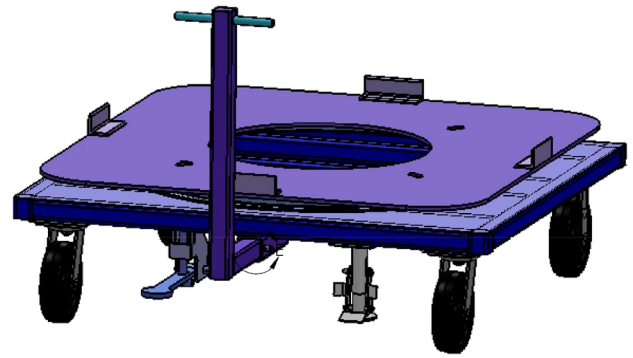
(920) 892-2223 | [www.plyind.com](http://www.plyind.com) | 1919 County Road C, Plymouth, WI 53073

## Custom Steel Swivel Carts

Featuring a removable handle and two rigid and two swivel casters you can pull this cart across your factory to, use the angle stops to unload your forks with ease, and bring the pallets/trays back to your work area. Once this cart is secure in place with the floor lock, you can utilize the swivel top to access all ends of your pallet, without having to move your cart or walk around. This design is ideal to ergonomically access multiple parts on the same tray while not moving from your station.

### Features

- Welded steel construction
- Optional hitch and/or receiver plates
- Cart will have welded on Angle to cradle (for example, a 48" x 45" Tray)
- Optional Floor Lock
- Cart to have (2) Rigid and (2) Swivel Castors
- Heavy Duty Carbon Steel
- All splatter and sharp edges removed
- Painted (1) Coat High Quality Air Dry Enamel



**Contact Plymouth Industries  
for a quote on your next  
swivel cart project.**