



# MODEL #(DSS-2500) ROLL OUT DRAWER STORAGE SYSTEM

## APPLICATIONS:

- \* Sheet Metal Storage
- \* Drop Off Storage
- \* Large and Small Part Organization and Storage
- \* Stores Stainless Steel, Steel, Aluminum, Plastic, Brass, Wood, Etc.

## BENEFITS:

- \* Facilitates Safe Storage
- \* Increased Efficiency
- \* Maximizes Floor Space
- \* Improved Housekeeping
- \* Operator Freindly (no sharp edges)



10' Tall x 14 Drawer Unit Shown  
With Solid Sides  
(Standard Unit Has 10 Drawers)

## CONSTRUCTION:

- \* Standard Unit 7' Tall x 10 Drawers
- \* Available in 4'x8', 5'x10' and 6'x12' Drawers
- \* Quality Carbon Steel Construction
- \* 2,500 Lb. Capacity Per Drawer
- \* Drawer Easily Pulls Out On Roller Bearings
- \* 100% Drawer Extension For Full Accessibility
- \* Drawers Lined With 14 Ga. Sheet Steel
- \* Drawers Lock In Open and Closed Position
- \* Standard Color - White Frame with Blue Drawers



Optional Folding Sides  
(OPT-2500-PACK-01 or 02 or 03)

## OPTIONS:

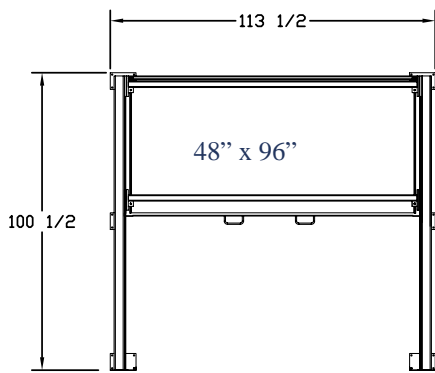
- \* Folding Sides (OPT-2500-PACK-01 or 02 or 03)  
(maximizes floor space when not in use)
- \* Plastic Lined Drawers (OPT-2500-PACK-04 or 05 or 06)
- \* Variable Spacing and Number Of Drawers  
Available (OPT-2500-PACK-08 or 09 or 10)
- \* Custom Paint (OPT-2500-PACK-12)
- \* Expanded Metal Sides



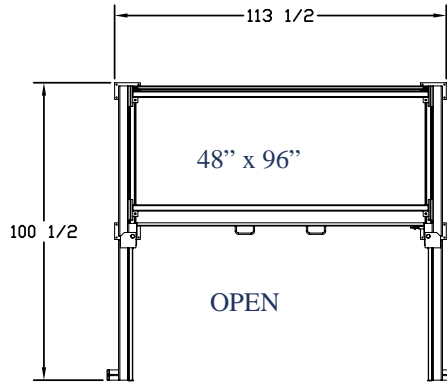
Optional Plastic Lined Drawers  
(OPT-2500-PACK-04 or 05 or 06)



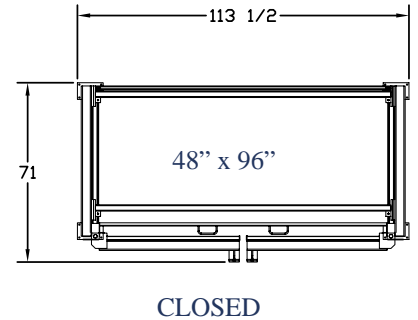
# LIGHT-DUTY ROLL OUT DRAWER STORAGE SYSTEM



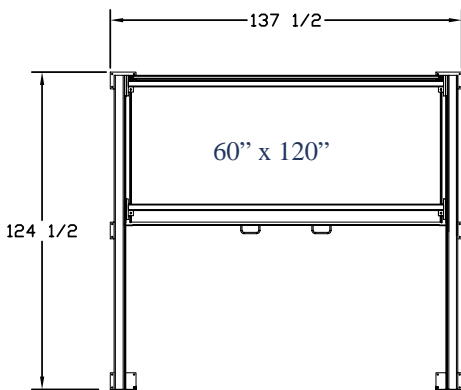
MODEL# DSS-2500-4896-84  
STANDARD RACK  
WITH SOLID SIDES



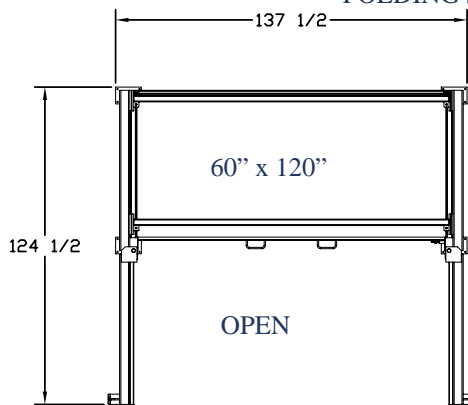
MODEL# DSS-2500-4896-84  
WITH OPTIONAL  
FOLDING SIDES



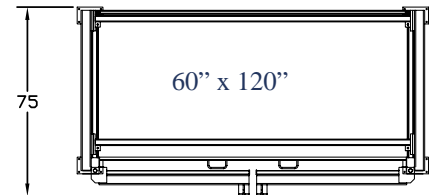
CLOSED



MODEL# DSS-2500-60120-84  
STANDARD RACK  
WITH SOLID SIDES

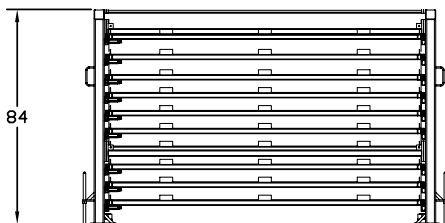


OPEN



CLOSED

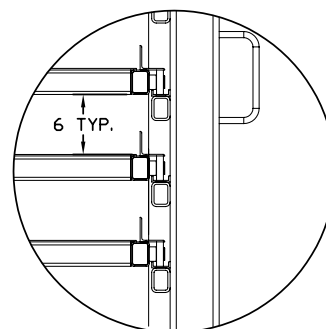
MODEL# DSS-2500-60120-84  
WITH OPTIONAL  
FOLDING SIDES



7' STANDARD HEIGHT SHOWN  
8', 9' AND 10' AVAILABLE  
WITH ADDITIONAL DRAWERS

ACTUAL HEIGHT  
CLEARANCE REQUIRED

- 7' = 91"
- 8' = 103"
- 9' = 115"
- 10' = 127"



6" STANDARD DRAWER  
SPACING